

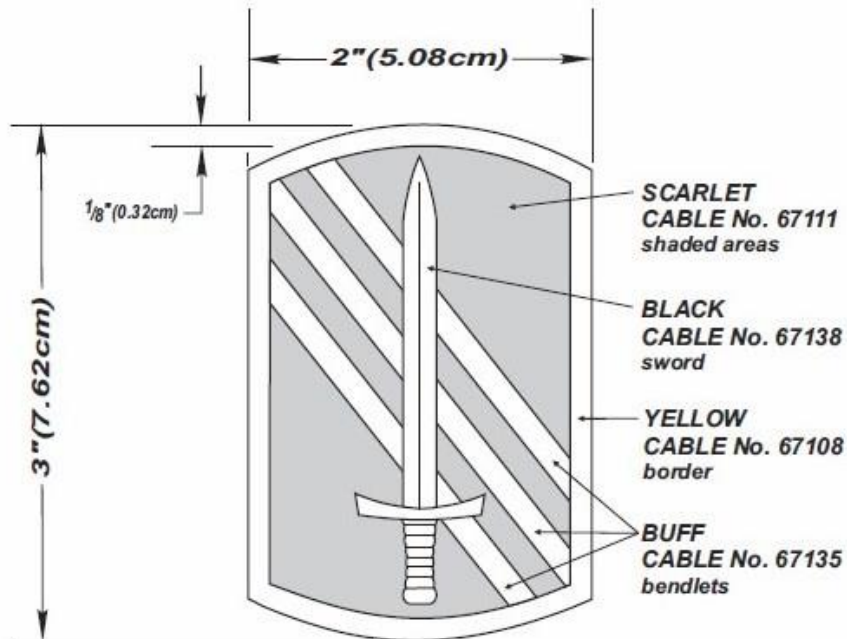
**FOR SUBDUED INSIGNIA**

**ACU:**

SCARLET AREAS TO BE FOLIAGE GREEN 67202. BUFF AREAS TO BE BROWN 67136. YELLOW AND BLACK AREAS TO BE BLACK 67138.

**REVISIONS**

LTR	DESCRIPTION	DATE	APPROVED
B	STITCH COUNT ADDED.	07 MAR 2011	pm TLC <i>Charles V. Mugno</i> CHARLES V. MUGNO DIRECTOR



**DESIGNED FOR OVEREDGE STITCHING**

**STITCH COUNT**

**4205 STITCHES (minimum)  
90/2 DENIER  
8/4 SPAN**

UNLESS OTHERWISE SPECIFIED DIMENSIONS ARE IN INCHES TOLERANCES ON FRACTIONS DECIMALS ANGLES

MATERIALS:  
TO BE MANUFACTURED IN ACCORDANCE WITH MIL-DTL-14652

EXAMINED	TLC	
CHECKED	pm	SAO
PREPARED	SAL	
APPROVED <i>Charles V. Mugno</i> CHARLES V. MUGNO DIRECTOR		

**THE INSTITUTE OF HERALDRY, DEPARTMENT OF THE ARMY**  
9325 GUNSTON RD, RM S-113 FORT BELVOIR, VA 22060-5579

**SHOULDER SLEEVE INSIGNIA**  
**113TH SUSTAINMENT**  
**BRIGADE**

SIZE	CONTROL IDENT. NO	
<b>A</b>	<b>22571</b>	<b>A-1-1038</b>

SCALE FULL DATE 18 OCTOBER 2010